

NEMA 4, 4X Enclosures

Description

The NEA1287JFG and NEA18149JFG NEMA 4, 4X enclosures are used with Flow Technology's SL90, SL91 and SL92 Series controllers when mounted in harsh environments indoors or outdoors. They are ideal for use in many locations such as petrochemical plants, sewage treatment plants, food processing areas, packing plants, electroplating facilities, etc.

Features

- Meets NEMA 4, 4X specifications
- Compatible with Flow Technology's SL90, SL91 and SL92 Series controllers
- Easily removable covers
- Water- and chemical-resistant
- Temperature-resistant



NEA1287JFG, NEA18149JFG

NEMA 4, 4X Enclosures

Ordering

NEA1287JFG	NEMA 4, 4X Enclosure for one or two controller mounting
Part Number:	
73-91907-05	No cutouts
73-66521-01	1 panel cutout
73-66521-02	2 panel cutouts

NEA18149JFG	NEMA 4, 4X Enclosure for three controller mounting
Part Number:	
73-91907-08	No cutouts
73-66522-01	1 panel cutout
73-66522-02	2 panel cutouts
73-66522-03	3 panel cutouts

Specifications

Industry Standard Classifications

NEMA/EEMAC	Type 3, Type 3R (except for drainage provisions), Type 4, Type 4X, Type 12, Type 13
UL 508 Flammability Rating	Type 3, Type 3R, Type 4, Type 4X, Type 12, Type 13 UL94-5V

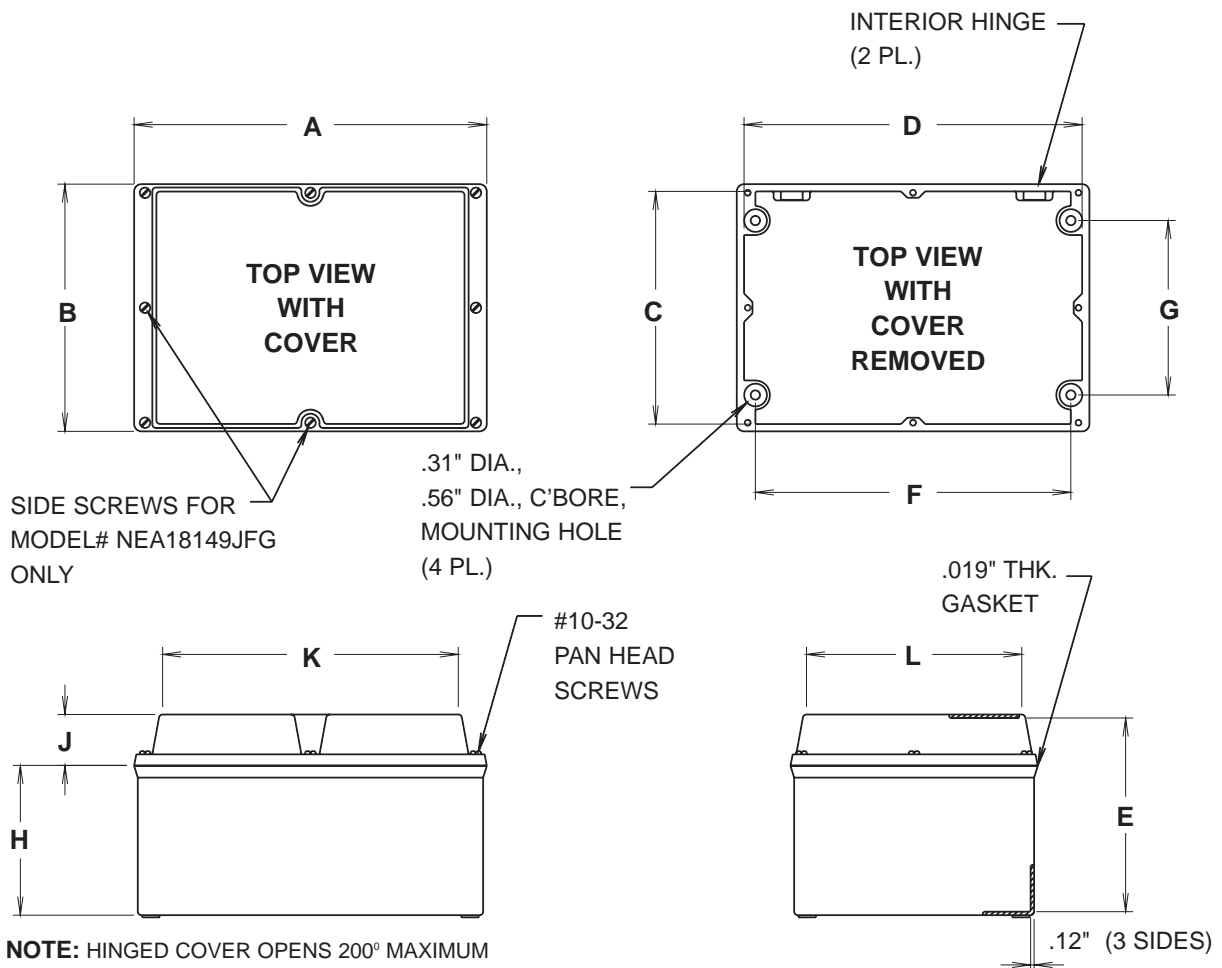
Materials

Casing	Molded fiberglass-reinforced polyester
Hinges	Zinc-plated steel

Weight

NEA1287JFG	8 lbs.
NEA18149JFG	12 lbs.

Diagrams



Dimensions

	A	B	C	D	E	F	G	H	J	K	L
NEA1287JFG	12.00"	8.50"	8.00"	11.50"	6.69"	10.75"	6.00"	5.13"	1.75"	9.97"	7.34"
NEA18149JFG	18.00"	14.50"	14.00"	17.50"	8.69"	16.75"	12.00"	6.63"	2.25"	15.78"	13.16"

Specifications are for reference only and are subject to change without notice.

Local Representative:



8930 S. Beck Avenue, Ste 107, Tempe, Arizona 85284 USA
 Tel: (480) 240-3400 • Fax: (480) 240-3401 • Toll Free: 1-800-528-4225
 E-mail: ftimarket@ftimeters.com • Web: www.ftimeters.com

DB 65117 Rev B © 2003 FTI Flow Technology, Inc. Printed in USA